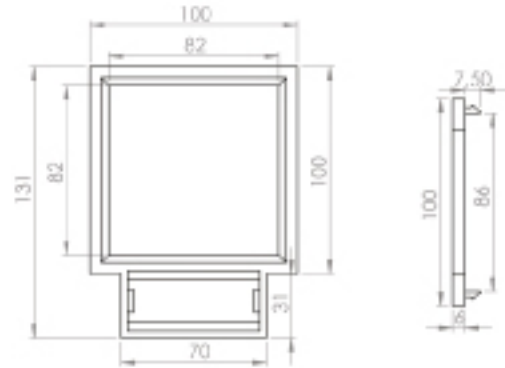


**Sayaç Camı**  
**Counter Screen**

501-1

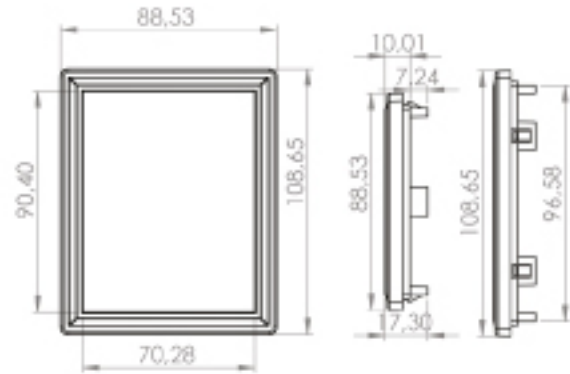


**Malzeme**  
**Gövde: Poliamid PA6 GFR 30**

**Material**  
**Body: Polyamide PA6 GFR 30**

**Sayaç Camı**  
**Counter Screen**

501-2

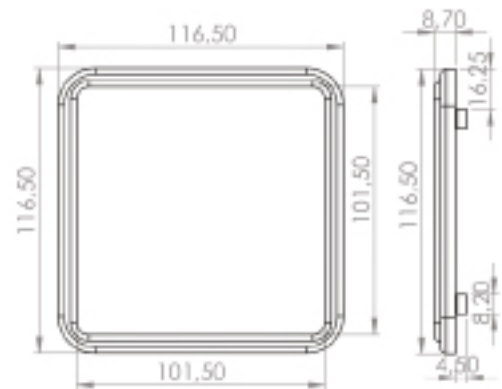


**Malzeme**  
**Gövde: Polikarbonat**

**Material**  
**Body: Polycarbonate**

**Sayaç Camı**  
**Counter Screen (Monophase)**

501-3

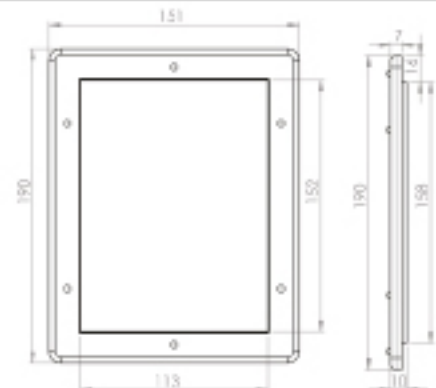


**Malzeme**  
**Gövde: Polikarbonat**  
**O-Ring: 3 mm Epidiyem**

**Material**  
**Body: Polycarbonate**  
**O-Ring: 3 mm Epidem**

**Sayaç Camı**  
**Counter Screen (Triphase)**

501-4



**Malzeme**  
**Gövde: Polikarbonat**  
**O-Ring: 3 mm Epidiyem**

**Material**  
**Body: Polycarbonate**  
**O-Ring: 3 mm Epidem**